

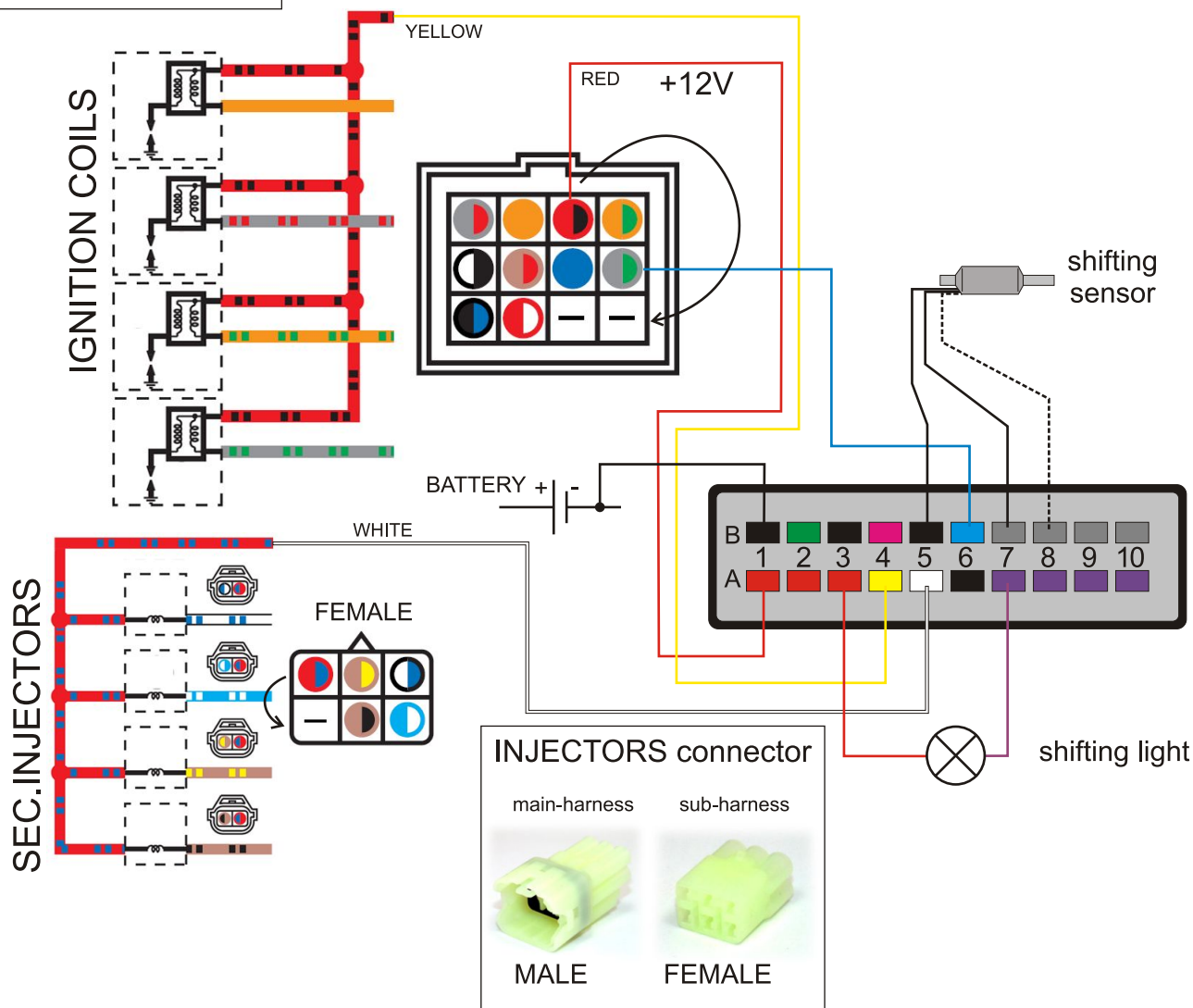
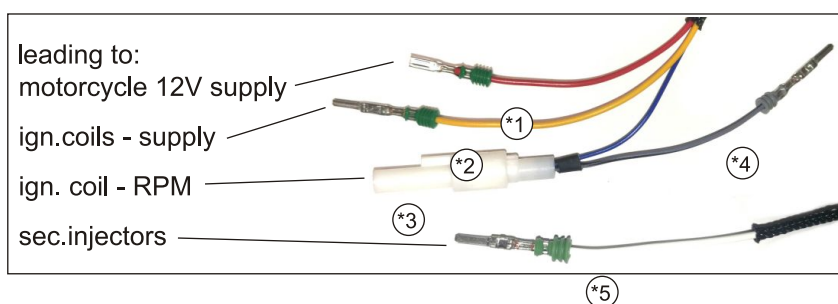
Supplementary Yamaha YZF R6 2006-16



1) Ignition coils connector: located on the right side. Remove yellow plastic stopper from male connector - pull it out by pliers. Remove Red/Black wire (unlock pin by needle). Place Yellow wire (*2) from QS unit to this position (where was Red/Black). Remove rubber seal in male connector corner and place Red/Black wire (male-pin) here. Remove yellow plastic stopper from female connector by flat screwdriver. Remove rubber seal in female connector corner and place Red wire (*1) from QS unit.

1b) Ignition coils connector - RPM: (necessary for Shifting light function, for Autoblipper and QS minimum RPM function)
Remove Grey/Red wire from male connector. Insert Grey/Black wire (*4) (male pin) from QS unit instead of Grey/Green wire. Insert Grey/Green wire to 1way White connector (*3) on QS wiring harness. See picture below.

2) Secondary injectors connector: remove Red/Blue wire from sub-harness connector (female-socket) and place it to free position in same connector. Remove rubber seal from main-harness connector and place White wire (*5) (male-pin) from QS unit to this position. QS unit White wire will go to Red/blue wire leading into injectors.





- 3) Connect black wire from QS unit to minus terminal on battery.
- 4) Connect shifting sensor coupler to QS unit wiring harness - black 2pin for QS only, white 3pin for QS and AB.

For Autoblipper only:

- 5) **Throttle actuator modul:** disconnect connector of throttle actuator position sensor (on throttle body) - see picture below. Insert actuator modul.
- 6) **WarmUp:** for WarmUp function connect switch to blue connector. When is switch ON, engine automatically rising up RPM for quicker warm. See MENU D6 and D7.
- 7) **Shift Light:** connect light to postion A3 (+12V) and A7 (switchning ground). Max. current 3,5.

